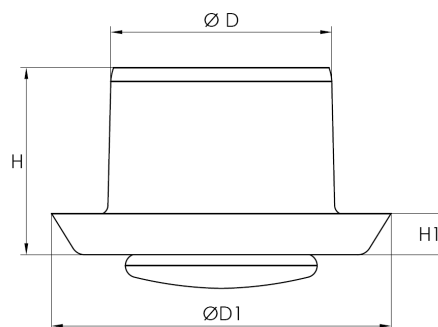


Plastic diffuser VD



Description

Plastic diffuser for exhaust and supply ventilation.

Technical data

Construction Made from plastic, adjustable air flow, with mounting collar.
 Installation Mounting with all types of circular ducts in any position.
 Colors White, brown, grey, anthracite, silver, gold.

Dimensions

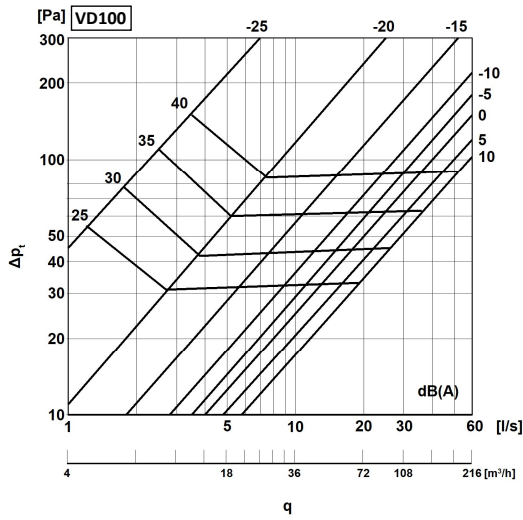
Type	ØD [mm]	ØD1 [mm]	H [mm]	H1 [mm]	m [kg]
VD100	99	149	82	18	0,15
VD125	124	168	82	18	0,21
VD150	149	183	82	18	0,26

Modifications

VDxxx – white
 VDxxxB – brown
 VDxxxP – grey
 VDxxxA – anthracite
 VDxxxS – silver
 VDxxxG – gold

Technical specifications

Used as supply valve



Used as exhaust valve

