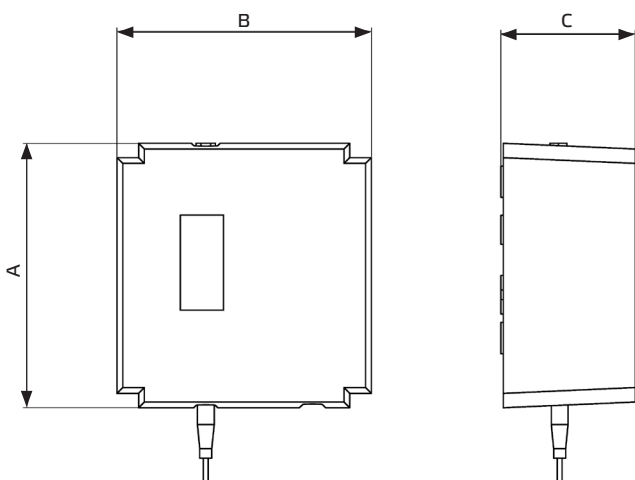
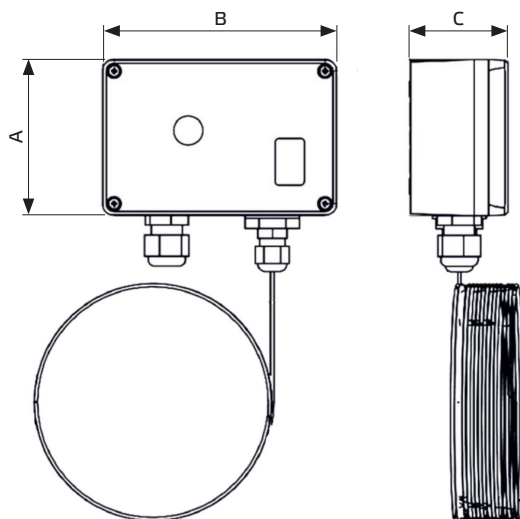


## Frost protection thermostat THE

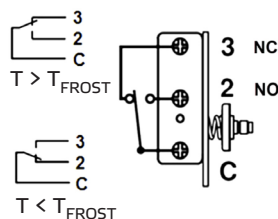


Type	ID	U <sub>max.</sub> V	I <sub>max.</sub> A	Capillary length m	A mm	B mm	C mm	Weight kg
THE 01	103666	250	15	1,8	112	105	55	0,6
THE 02	115566	250	15	6,0	112	105	55	0,6

- Frost protection thermostat
- Switching capacity: 15 (8) A, 24-250 V~, bei 24 V~ min. 150 mA
- Range of control -10 °C ... +12 °C
- Switching limit 1 K
- Temperature range -10°C ... +55°C
- Sealable control point setting
- Protection Class IP 40



### Wiring diagram :



Type	ID	U <sub>max.</sub> V	I <sub>max.</sub> A	Capillary length m	A mm	B mm	C mm	Weight kg
THE 03	148640	250	10	12	80	120	50,4	0,6

- Frost protection thermostat
- Output switching contact: 1-pole changeover switch or changeover contact
- Range of control -10 °C ... +12 °C
- Switching limit: 2°C ± 1°C
- Temperature range -35°C ... +70°C
- Protection Class IP 65

### Legend:

- I<sub>max.</sub> = Max. operating current
- U<sub>max.</sub> = Maximum Voltage