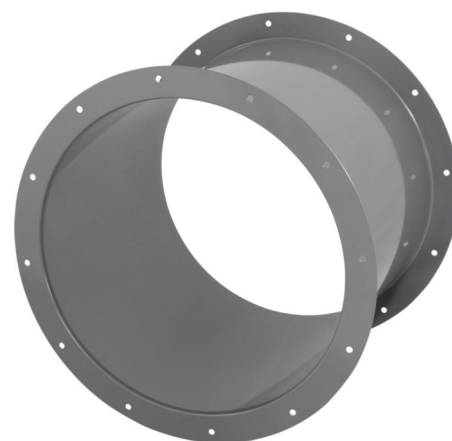
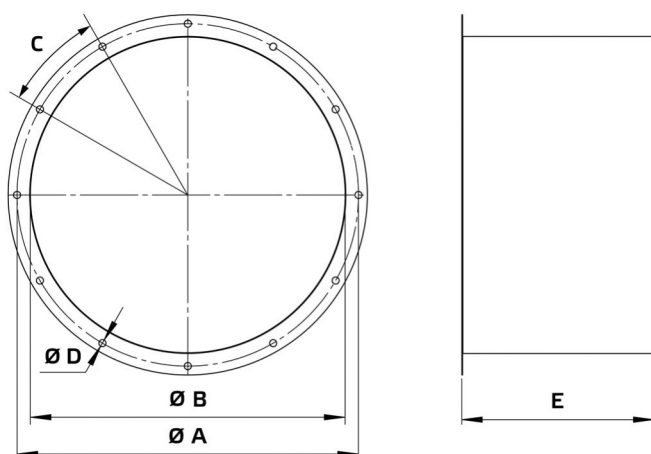


Datasheet

Product type: Tube connection spigot
 Product ID: 154183
 Product name: RVS 400



A	mm	450
B	mm	400
C		8 x 30°
D	mm	8
E	mm	368
Weight	kg	5.7

- Sheet steel, powder-coated
- Flange mounting
- Suitable for outdoor installation

Use:

- AL 400 D4 01
- AL 400 EC 01
- AL 400 D2 01