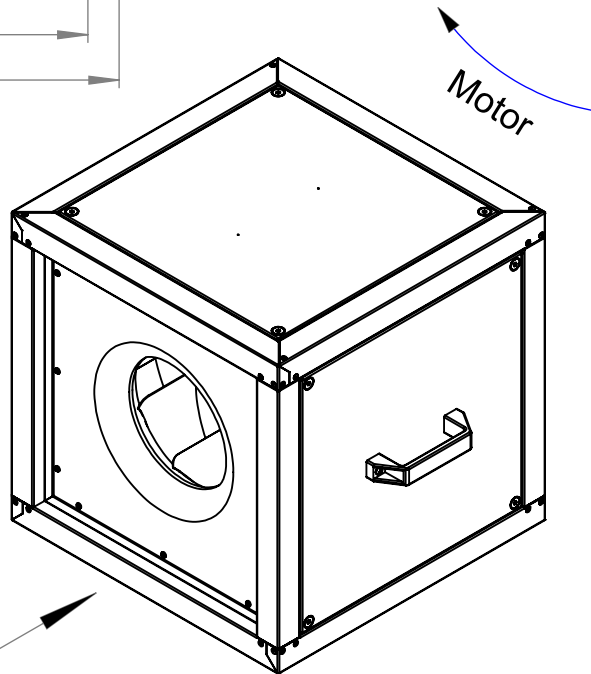


Anschlussmaß innen
min. \varnothing 240
Connection size inside
min. \varnothing 240



1:10 A4 mm

Protection Mark
according to ISO 16016

General tolerances
DIN ISO 2768-c

MPC315ECT30

ruck
VENTILATOREN

ruck Ventilatoren
Max-Planck-Str. 5
D-97944 Boxberg

Created a.ganea 22.10.2018
Drawn a.ganea 22.10.2018
Released a.ganea 22.10.2018
Disabled

149264 00