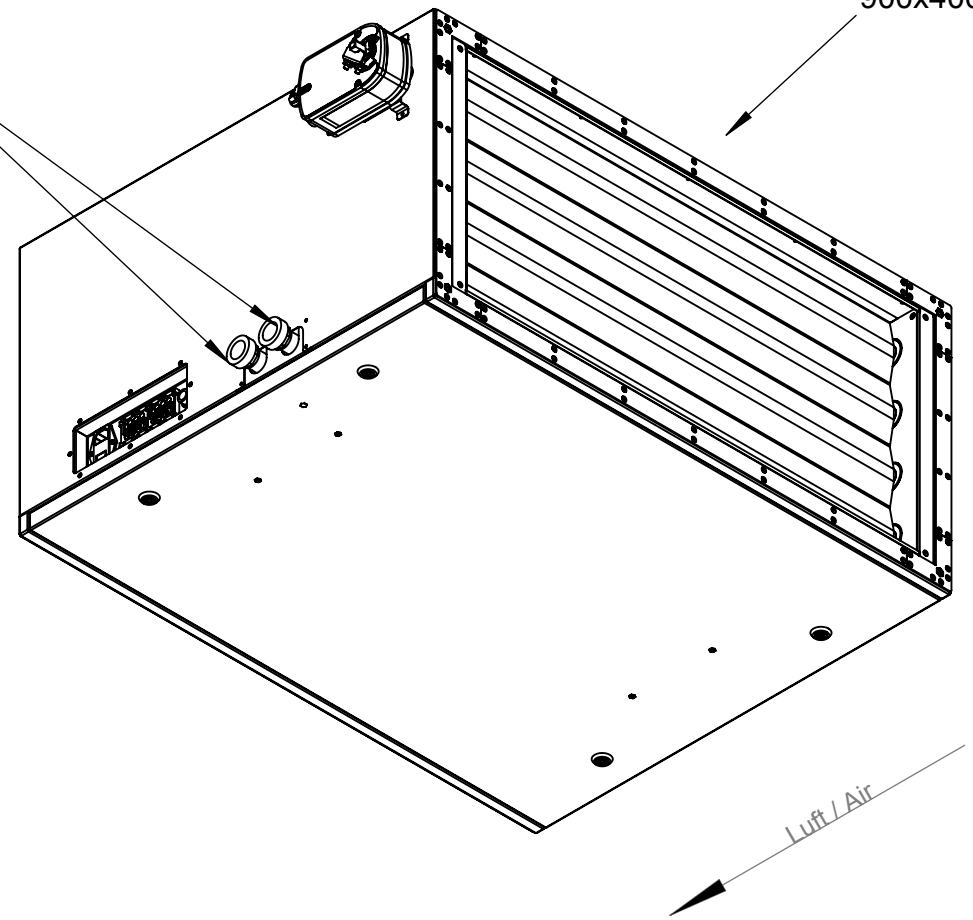


Anschluss 3/4"  
Aussengewinde

Kanal/Duct  
900x400



1:20 A4 mm



Protection Mark  
according to ISO16016

General tolerances  
DIN ISO 2768-c

**SL09040E2J2010**

ruck Ventilatoren  
Max-Planck-Str. 5  
D-97944 Boxberg

Drawn: d.hancu  
Created: d.hancu  
Changed: d.hancu

28.01.16  
27.01.16  
28.01.16

**136159 00**