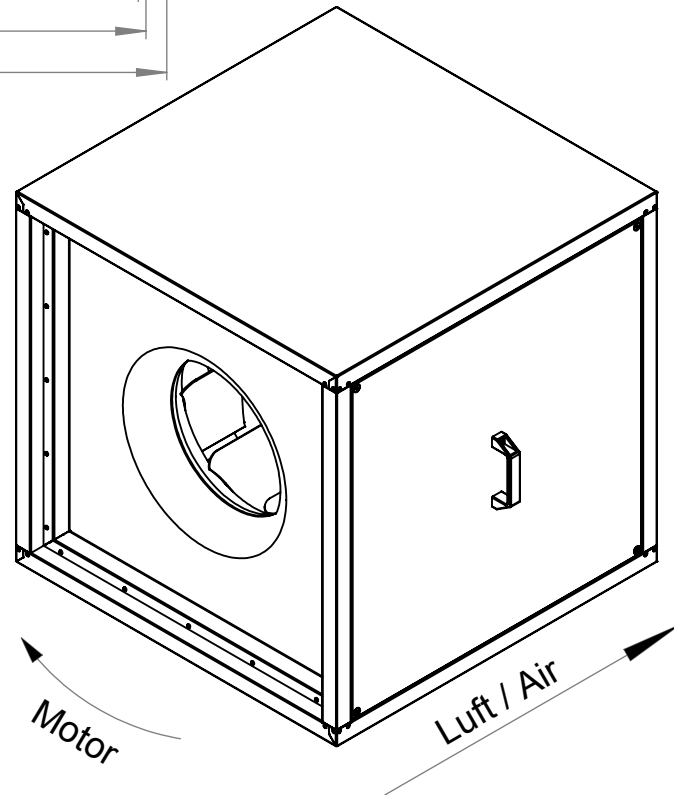


Anschlussmaß innen
min. $\varnothing 465$
Connection size inside
min. $\varnothing 465$



ruck Ventilatoren
Max-Planck-Str. 5
D-97944 Boxberg



Protection Mark
according to ISO16016

1:15 A4 mm

General tolerances
DIN ISO 2768-c

Drawn: s.pop
Created: s.pop
Changed:

22.09.17
22.09.17

MPC560D430

141450 00